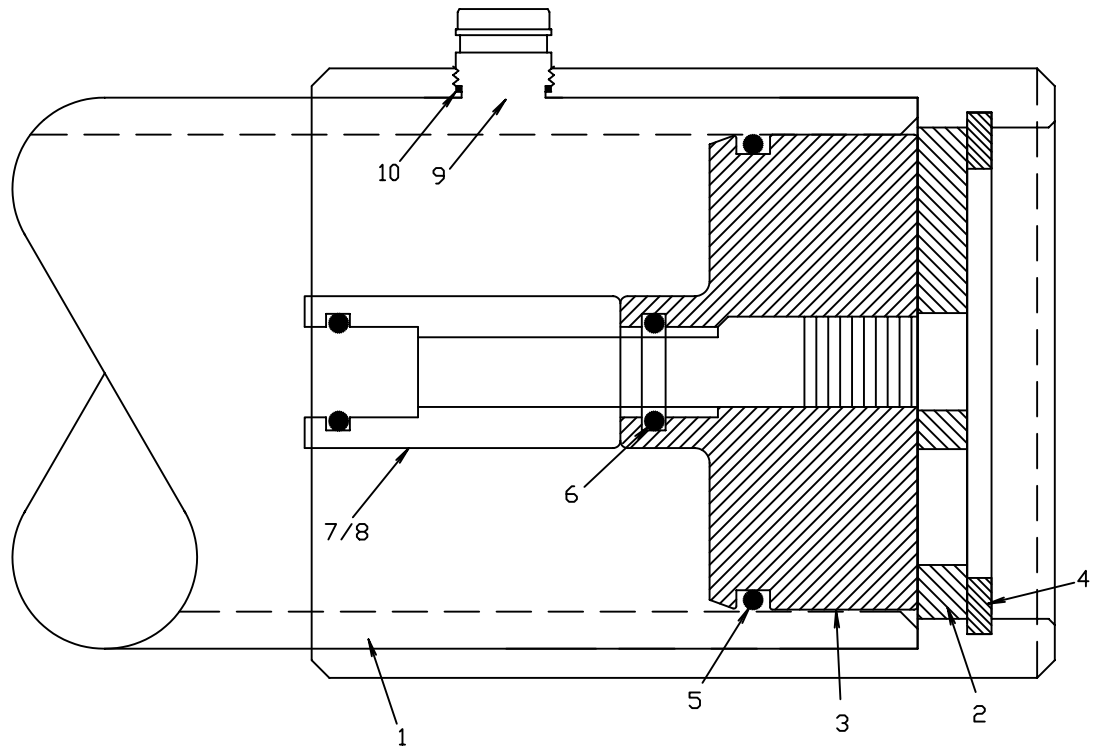



ITEM NUMBER	QTY.	PART NAME	PART NUMBER	COMMENTS
1	1	VESSEL		AS APPROPRIATE FROM VESSEL PRINT
2	2	BEARING PLATE	RDEC027	STAINLESS STEEL
3	2	PLUG	RDEC033	PERMEATE
4	8 8	RETAINING WEDGES WEDGE BOLT	RDEC024 RDEC026	304/316 S.S.
5	2	VESSEL O-RING	RDEC009	NITRILE O-RING
6	2	PRODUCT O-RING	RDEC011	NITRILE O-RING
7	1	SIDE PORT SPACER PROD END	RDEC 21	PVC
8	1	SIDE P.S. FEED END	RDEC 22	PVC
9	1	SIDE PORT 3/4" VICT.		316 S.S.
10	2	SIDE PORT O-RING		NITRILE O-RING



NOTE: PERMEATE 1/2" NPT
FEED/CONC. 3/4" VICTAULIC STANDARD

A & M COMPOSITES CORPORATION Quality FILAMENT WOUND COMPOSITE Products		TOLERANCES (EXCEPT AS NOTED)		SECTIONAL END VIEW		
		DECIMAL		SCALE	DRAWN BY WC	
		1		N/A	APPROVED BY MN	
		FRACTIONAL		TITLE		
Phone (915)267-6525		1		4"-1000psi. SP-ECV		
		ANGULAR		DATE	DRAWING NUMBER	
		1		02-12-01	4-1000PSI-SP-ECV	