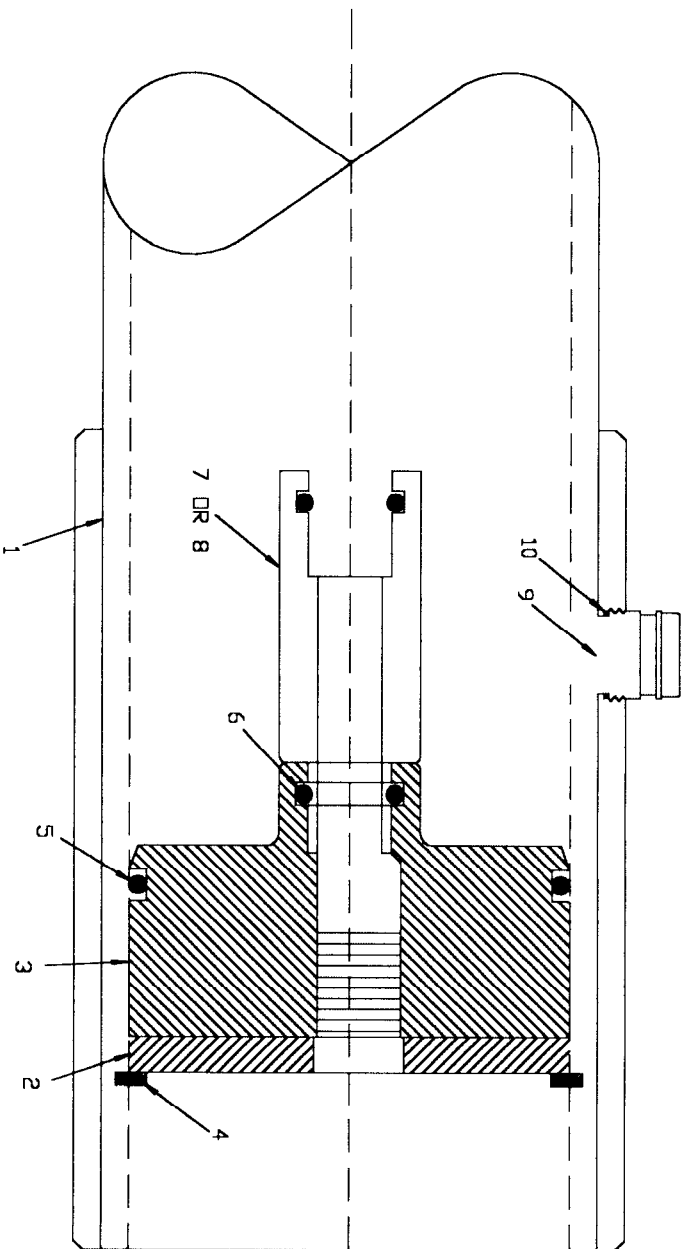


ITEM NUMBER	QTY.	PART NAME	PART NUMBER	COMMENTS
1	1	VESSEL		AS APPROPRIATE FROM VESSEL PRINT
2	2	BEARING PLATE	RDEC014	STAINLESS STEEL
3	1	PLUG	RDEC033 RDEC032	FEED PERMEATE/COND.
4	2	RETAINING RING	RDEC018	SPIROLOX
5	2	VESSEL O-RING	RDEC009	NITRILE O-RING
6	2	PRODUCT O-RING	RDEC011	NITRILE O-RING
7	1	SIDE PORT SPACER	RDEC21	PVC
8	1	SIDE PORT SPACER	RDEC22	PVC
9	1	SIDE PORT 3/4" VICT.	RDEC064	316 S.S.
10	2	SIDE PORT O-RING	7-210	NITRALE O-RING



NOTE: PERMEATE 1/2" NPT

<p>A & M COMPOSITES CORPORATION Quality FILAMENT WOUND COMPOSITE Products</p>			
<p>TOLERANCES (EXCEPT AS NOTED)</p>		<p>SECTIONAL VIEW SIDE PORT</p>	
DECIMAL	1	SCALE	N/A
FRACTIONAL	1	DRAWN BY	VC
ANGULAR	1	APPROVED BY	MN
<p>TITLE</p>		<p>DATE</p>	
<p>4"-400 psi. Sectional View</p>		<p>02-12-02</p>	
<p>DRAWING NUMBER</p>		<p>4-400PSI-SCV</p>	
<p>Phone (915)267-6525</p>			