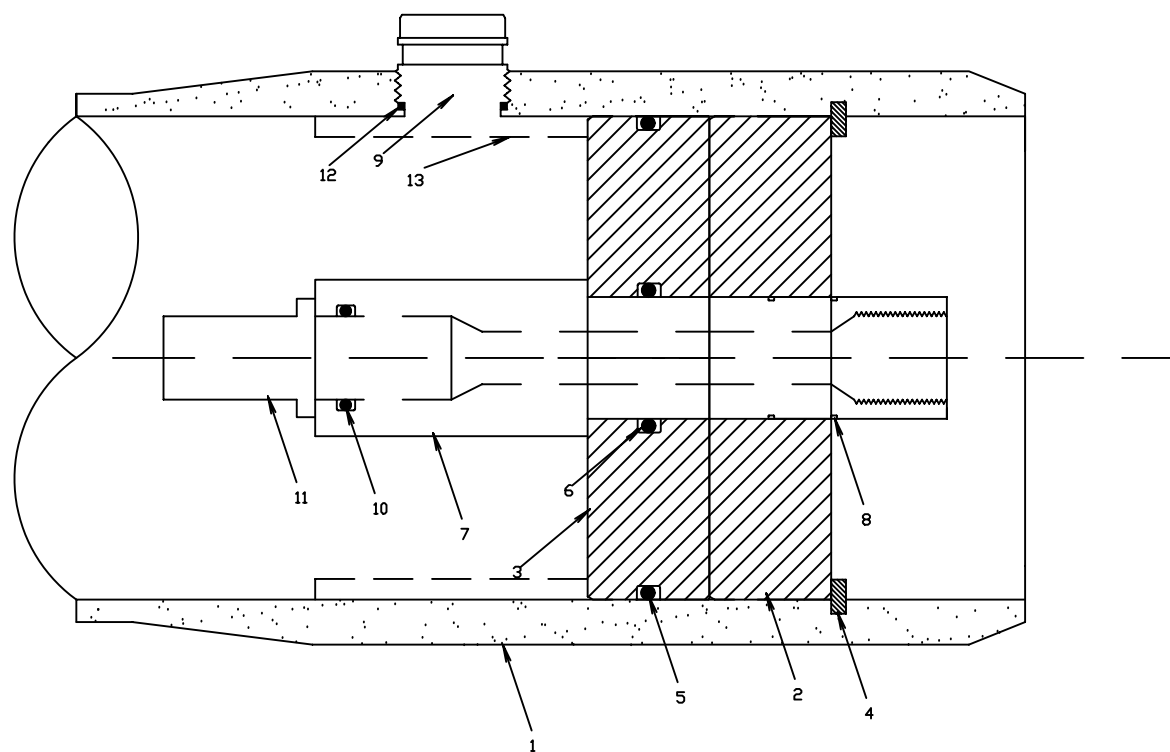
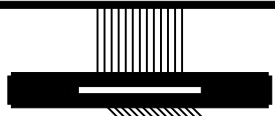


ITEM NUMBER	QTY.	PART NAME	PART NUMBER	COMMENTS
1	1	VESSEL		AS APPROPRIATE FROM VESSEL PRINT
2	2	BEARING PLATE	RDEC8103	FIBERGLASS PLATE
3	2	BACKING PLATE	RDEC8100	PVC
4	8	WEDGE LOCK	RDEC8111	316 S.S.
5	2	VESSEL O-RING	RDEC8443	NITRILE
6	2	COUPLER O-RING	RDEC8226	NITRILE
7	2	COUPLER	RDEC8110	NITRILE
8	2	RETAINER	RDEC8200	STAINLESS STEEL
9	2	FEED/CONC. PORT		316 S.S.
10	2	PRODUCT O-RING	RDEC8218	NITRILE
11	2	ADAPTER		TO FIT MEMEBRANE
12	2	SIDE PORT SQ-RING	RDEC8223	NITRILE
13	1	DOWNSTREAM SPACER		PVC



A & M COMPOSITES CORPORATION Quality FILAMENT WOUND COMPOSITE Products		TOLERANCES (EXCEPT AS NOTED)		MEMBRANE HOUSING SECTIONAL VIEW SIDE PORT		
		DECIMAL				SCALE
		1		N/A	APPROVED BY MN	
		FRACTIONAL		TITLE		
Phone (915)267-6525		1		8"-1000 psi. Sect. View Side Port		
		ANGULAR		DATE	DRAWING NUMBER	
		1		02-12-01	8-1000psi-Sect. View Side Port	