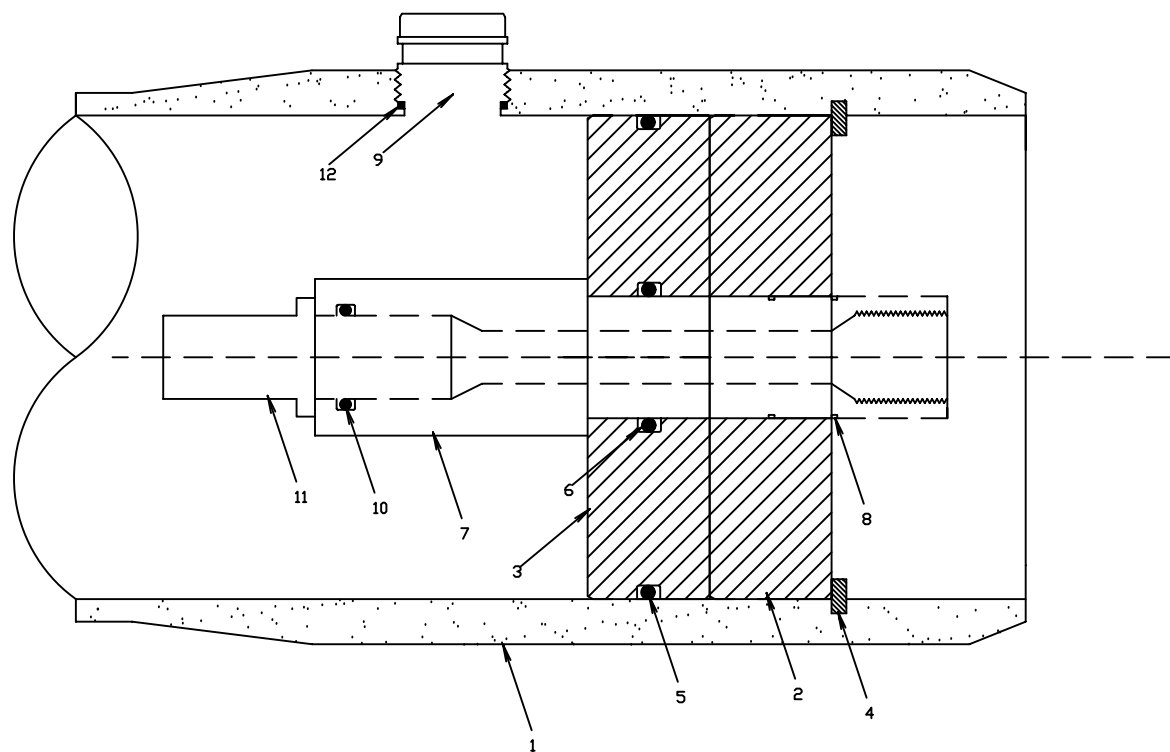


ITEM NUMBER	QTY.	PART NAME	PART NUMBER	COMMENTS
1	1	VESSEL		AS APPROPRIATE FROM VESSEL PRINT
2	2	BEARING PLATE	RDEC8101	FIBERGLASS PLATE
3	2	BACKING PLATE	RDEC8100	PVC
4	2	RETAINING RING	RDEC8104	PLATED SPIRAL
5	2	VESSEL O-RING	RDEC8443	NITRILE
6	2	COUPLER O-RING	RDEC8226	NITRILE
7	2	COUPLER	RDEC8108	NITRILE
8	2	RETAINING RING	RDEC8200	STAINLESS STEEL
9	2	FEED/CONC. PORT		316 S.S.
10	2	PRODUCT O-RING	RDEC8218	NITRILE
11	2	ADAPTER		TO FIT MEMBRANE
12	2	SIDE PORT SQ-RING	RDEC8223	NITRILE



<b>A &amp; M COMPOSITES CORPORATION</b> Quality FILAMENT WOUND COMPOSITE Products		TOLERANCES (EXCEPT AS NOTED)		<b>MEMBRANE HOUSING</b> <b>SECTIONAL VIEW SIDE PORT</b>	
		DECIMAL 1			
		FRACTIONAL 1	TITLE 8"-300 psi. Sect. View Side Port		
		ANGULAR 1	DATE 02-12-01	DRAWING NUMBER 8-300psi-Sect. View Side Port	
Phone (915)267-6525					