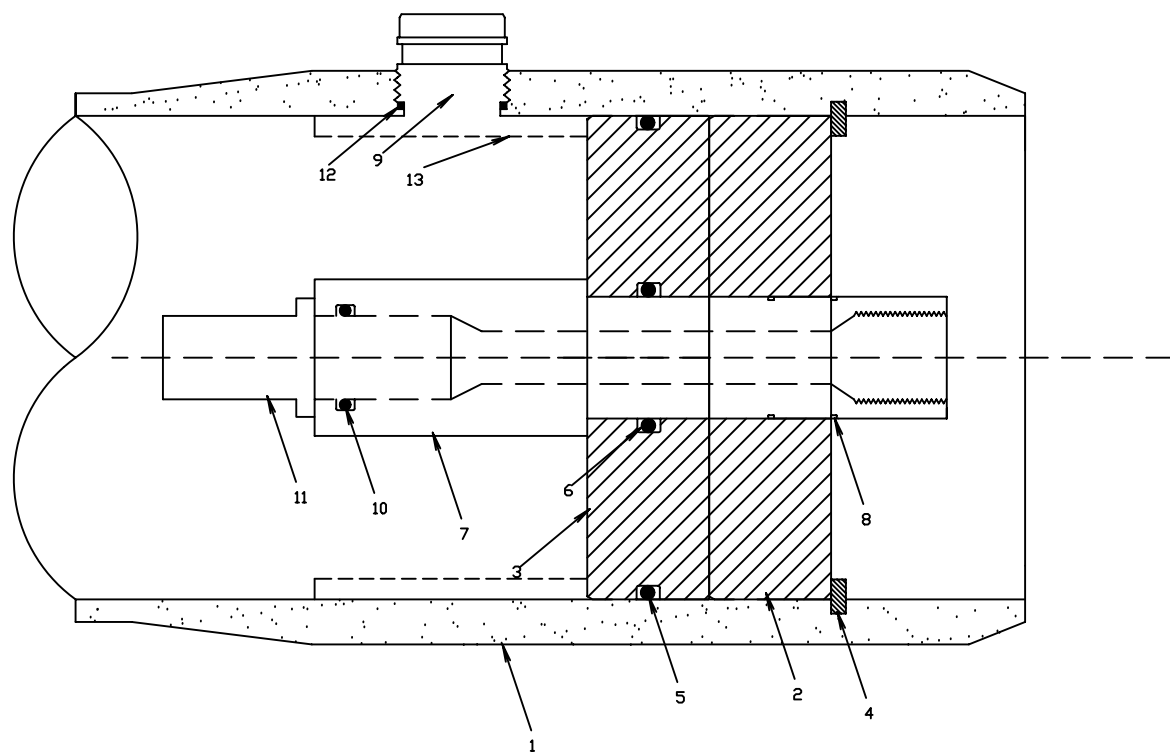
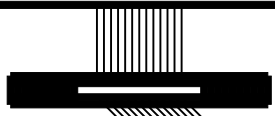


ITEM NUMBER	QTY.	PART NAME	PART NUMBER	COMMENTS
1	1	VESSEL		AS APPROPRIATE FROM VESSEL PRINT
2	2	BEARING PLATE	RDEC8102	FIBERGLASS PLATE
3	2	BACKING PLATE	RDEC8100	PVC
4	2	RETAINING RING	RDEC8105	PLATED SPIRAL
5	2	VESSEL O-RING	RDEC8443	NITRILE
6	2	COUPLER O-RING	RDEC8226	NITRILE
7	2	COUPLER	RDEC8109	NITRILE
8	2	RETAINER	RDEC8200	STAINLESS STEEL
9	2	FEED/CONC. PORT		316 S.S.
10	2	PRODUCT O-RING	RDEC8218	NITRILE
11	2	ADAPTER		TO FIT MEMEBRANE
12	2	SIDE PORT SQ-RING	RDEC8223	NITRILE
13	1	DOWNSTREAM SPACER		PVC



<b>A &amp; M COMPOSITES CORPORATION</b> Quality FILAMENT WOUND COMPOSITE Products		TOLERANCES (EXCEPT AS NOTED)		<b>MEMBRANE HOUSING</b> <b>SECTIONAL VIEW SIDE PORT</b>		
		DECIMAL				SCALE
 Phone (915)267-6525		1		N/A	APPROVED BY MN	
		FRACTIONAL		TITLE		
		1	8"-600 psi. Sect. View Side Port			
		ANGULAR	DATE	DRAWING NUMBER		
		1	02-12-01	8-600psi-Sect. View Side Port		